

# Felt gears and attachment axles

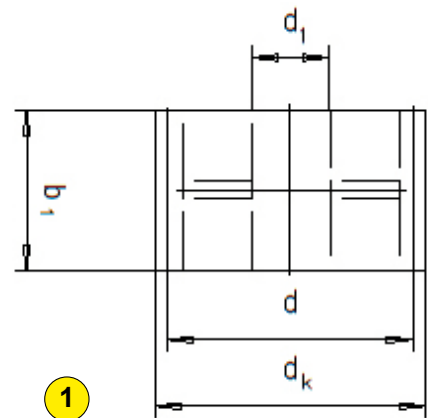
The felt gear is suited for lubricating hard-to-reach places. The lubricant is supplied via a hole in the center of the attachment axle. Liquid greases from NLGI 00 to NLGI 0 can be dosed.

Available with PU foam (on request)  
Range of use -30°C to +150°C



## Straight-cut felt gears

Image	Module	z	d	dk	d1	b1	g	Order No.
1	1	40	40.0	42	12	15	7.5	14425
1	1.5	26	39.0	42	12	15	7.2	14426
1	1.591	24	38.2	41.4	12	15	6.8	14427
1	2	19	38	42	12	25	11	14428
1	2.5	22	55	60	12	25	25	14429
1	3	19	57	63	12	30	37	14430
1	3.183	18	57.3	63.6	12	30	36	14431
1	4	19	76	84	12	40	98	14432
1	5	18	90	100	20	50	133	14433



## Attachment axles

Image	Module	d1	D	b1	L	I	G	g	Order No.
2	1	12	30	15	40	10	M8	135	14418
2	1.5	12	30	15	40	10	M8	135	14418
2	1.591	12	30	15	40	10	M8	135	14418
2	2	12	30	25	50	10	M8	143	14419
3	2	12	30	25	50	-	M8	140	14438
2	2.5	12	30	25	50	10	M8	143	14419
3	2.5	12	30	25	50	-	M8	140	14438
2	3	12	30	30	55	10	M8	147	14420
3	3	12	30	30	55	-	M8	145	14439
2	3.183	12	30	30	55	10	M8	147	14420
3	3.183	12	30	30	55	-	M8	145	14439
2	4	12	30	40	65	10	M8	154	14421
3	4	12	30	40	65	-	M8	150	14440
2	5	20	50	50	75	15	M12	520	14422
3	5	20	40	50	75	-	M8	510	14441

